

Alcatel-Lucent OmniPCX Enterprise Communication Server

TA-CTI (4091)



Legal notice:

Alcatel, Lucent, Alcatel-Lucent and the Alcatel-Lucent logo are trademarks of Alcatel-Lucent. All other trademarks are the property of their respective owners.

The information presented is subject to change without notice.

Alcatel-Lucent assumes no responsibility for inaccuracies contained herein.

Copyright © 2007 Alcatel-Lucent. All rights reserved.

The CE mark indicates that this product conforms to the following Council Directives:

- 89/336/CEE (concerning electro-magnetic compatibility)
- 73/23/CEE (concerning electrical safety)
- 1999/5/CE (R&TTE)



Chapter 1
Hardware description

1.1 General 1.1

Chapter 2
Hardware configuration

2.1 Overview 2.1
2.2 Builds 2.1

Chapter 3
External connections

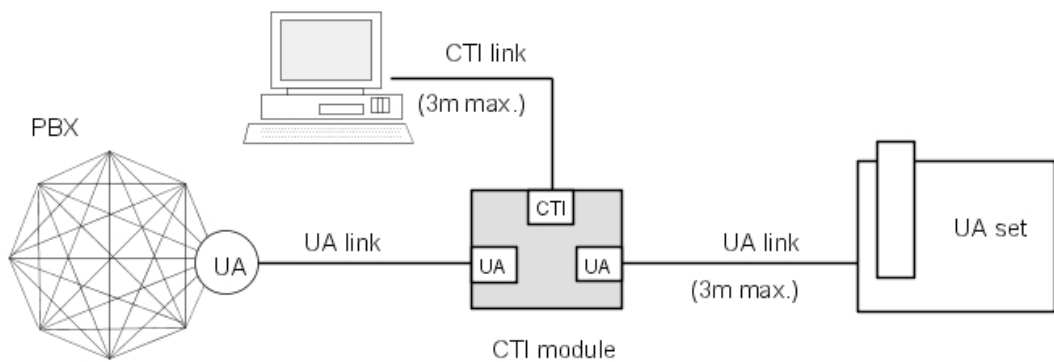
3.1 Fitting in a 4035 or 4020 set 3.1
3.2 UA connector connection 3.1
3.3 TA-CTI connection 3.1
3.4 TA-CTI rear panel details 3.2

1.1 General

The TA-CTI (Computer Telephony Integration) allows a PC type peripheral to be connected to the system, via a UA link, by means of a RS232 serial link (CTI port).

The RS232 serial link carries signalling (up to 9600 bit/s) and allows telephone operations like call management, call monitoring.

The audio part is carried out by the associated dedicated set.

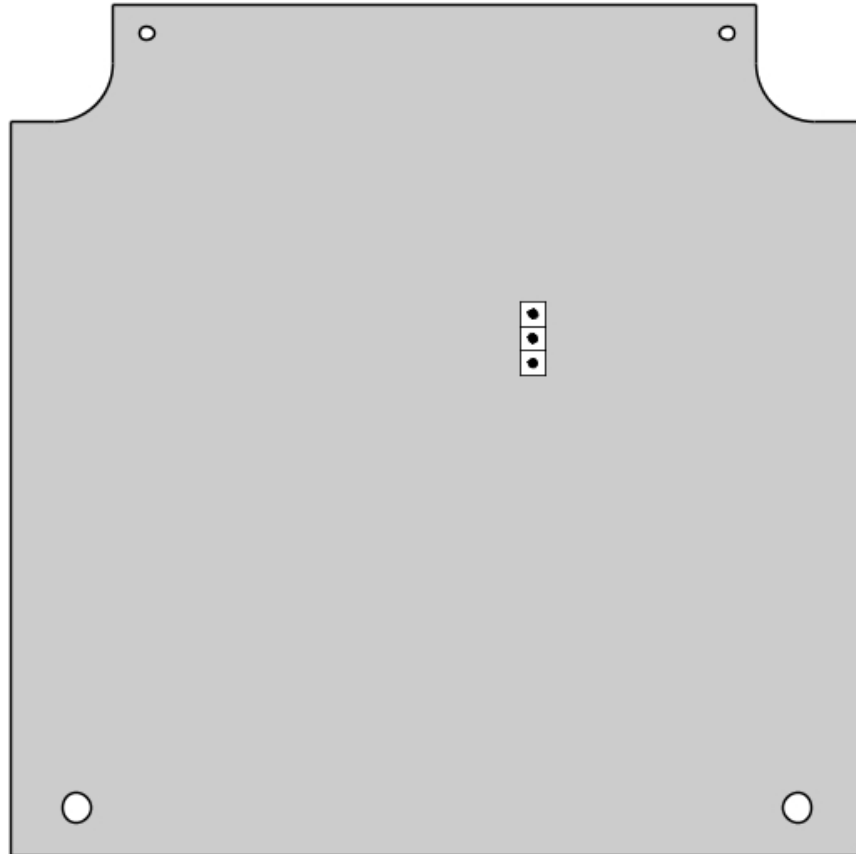


Chapter
2

Hardware configuration

2.1 Overview

Serial number: 3AK 27103



2.2 Builds

The grayed builds are factory installed builds.

	Associated UA set	Stand alone
Operation mode		

3.1 Fitting in a 4035 or 4020 set

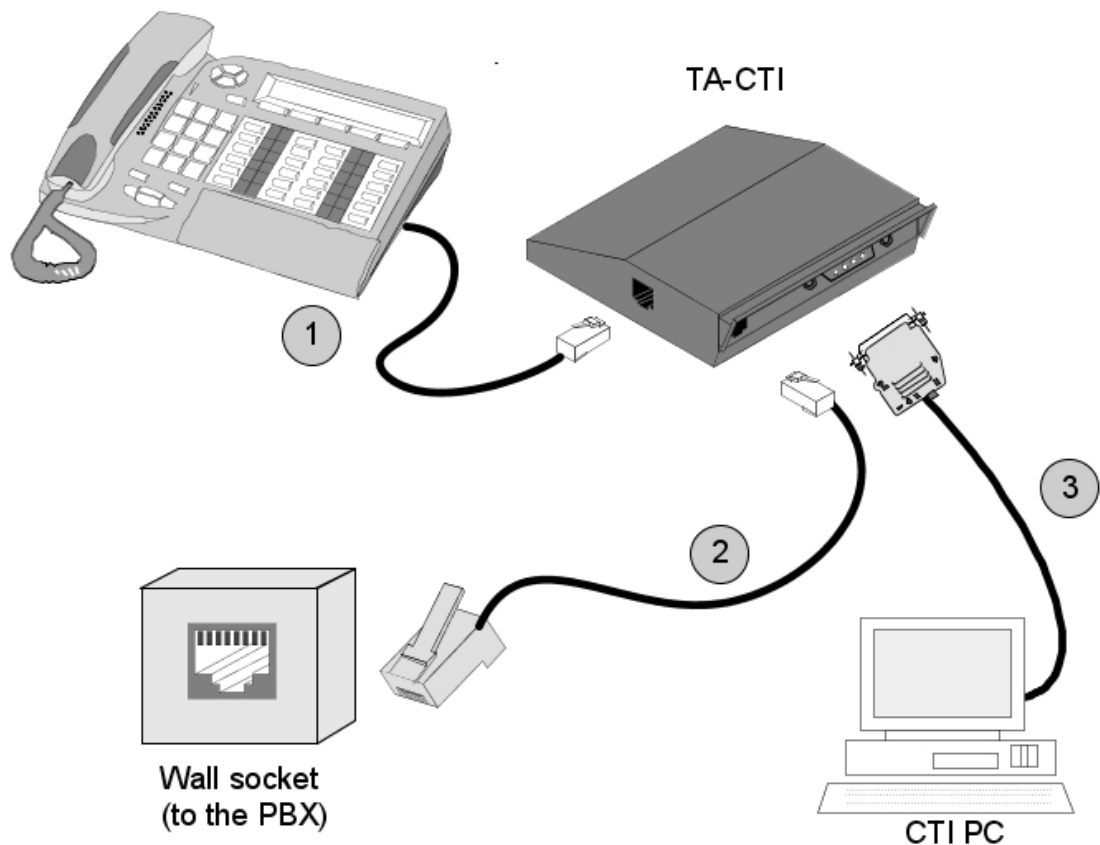
The TA CTI (4091) can be fitted in a 4035 or 4020 set. module TA-Analogic (4095) - External connections gives all information for this installation.

3.2 UA connector connection

The UA connector of a TA is the same as the UA connector of a set. Its connection is described in module UA 4035 set (Advanced) - Connecting the UA 4035 (Advanced) Set .

3.3 TA-CTI connection

The TA-CTI adapter is connected as follows:



The TA-CTI is connected to:

1. the UA set (RJ11/RJ11 cable),
2. the PBX via a wall socket and a distributor (see detail in the module UA 4035 set (Advanced) - Connecting the UA 4035 (Advanced) Set),
3. the CTI terminal (use of cable 3BA 17140 AC).
4. the mains plug for the power supply,

3.4 TA-CTI rear panel details



1. RJ11 connector for UA line,
2. SUBD 9 CTI connector,
3. power supply plug.

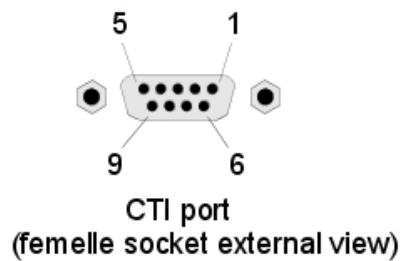


Figure 3.3: Connector detail

CTI port:

Pin	Signal	Description
1		
2	TX	Data transmission
3	RX	Data reception
4		
5	GND	Protective ground
6		
7	RTS	Transmission request
8	CTS	Ready for transmission

9		
---	--	--

